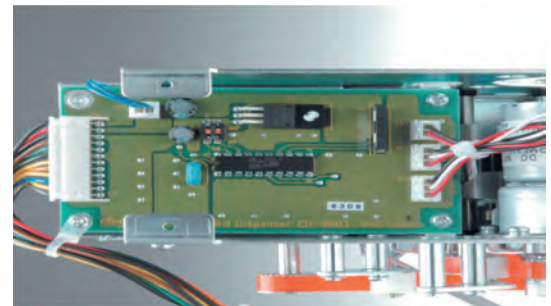
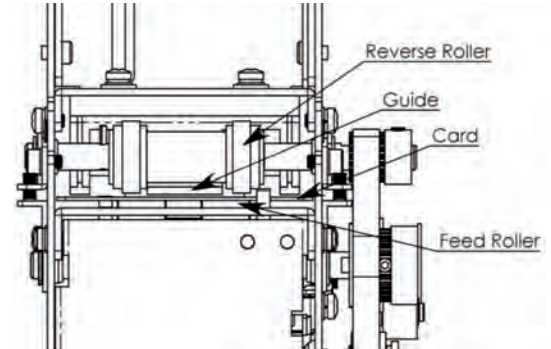




The ideal solution for dispensing credit card size paper or polyester cards (ISO7816). Designed with a new clutch and reverse roller, the CD-200 prevents double dispensing of cards or the dispensing of two cards stuck together.

Features:

- CLUTCH SYSTEM & PATENTED REVERSE ROLLER**
 This combination promises a stable card dispensing capability without error. The CD-200 can be utilized widely for various card dispensing applications.
- Available for a wide range of card thickness and materials.
- Industry Standard for Telecommunications & Transportation Applications.
- COMPREHENSIVE CONTROL BOARD FOR EASY SYSTEM INTEGRATION**
 This model is equipped with an



CD-9603 Control Board

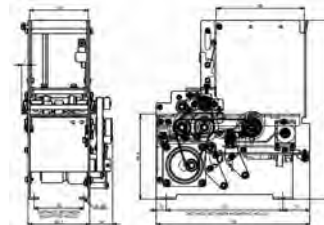
exclusive electronic control board for easy circuit operations. If the card feeding interval is too long (above 4 seconds) the reverse roller circuit will automatically operate and repeat the operation again. The number of times the operations is repeated can be selected with the dip switches.

General Specifications:

- Applicable Card Sizes:**
 Debit / Credit Cards*
 53mm (min) ~ 58mm (max)
 x 76mm (min) ~ 86mm (max)
 Thickness: 0.15mm ~ 0.70mm
 (.01" ~ .03")
**Cards with embossed characters can not be dispensed.*
- Card Capacity:**
 Holds approximately 200 Cards;
 varies according to thickness.
- Dispensing Speed:**
 2 seconds per card.
 High speed dispensing (approx. 1.2

seconds per card) is available upon request.

- Supply Voltage Options:**
 12VDC or 24VDC +/- 10%
- Current Consumption:**
 Operational - 1.50A (peak)
- Operating Temperature:**
 -10° C ~ 40° C with 30%-90% humidity.
- Size:**
 180mm (H) x 155mm (D)
 x 93.2mm (W)
- Weight:**
 3.53lbs.



Custom models available please consult an Asahi Seiko Representative

